

Metering Guidelines

CT Non-Residential Renewable Energy

Solutions

Netting and Buy-All Tariffs

diagrams dated 12 / 10 / 21

Table of Contents

1. Title Page
2. Table of Contents
3. Important Notes
4. Netting, Single Phase, Self-Contained
5. Buy-All, Single Phase, Self-Contained
6. Buy-All With Existing Solar, Single Phase Self-Contained
7. Netting, Three Phase, Self-Contained
8. Buy-All, With Existing Solar, Three Phase, Self-Contained
9. Netting, Three Phase, Instrument Rated
10. Buy-All, Three Phase, with Existing Net Metering, Existing Structure
11. Buy-All, Three Phase, Instrument Rated, on Existing Structure
12. Buy-All, Primary Meter, (Generation-only type Service)

Important Notes

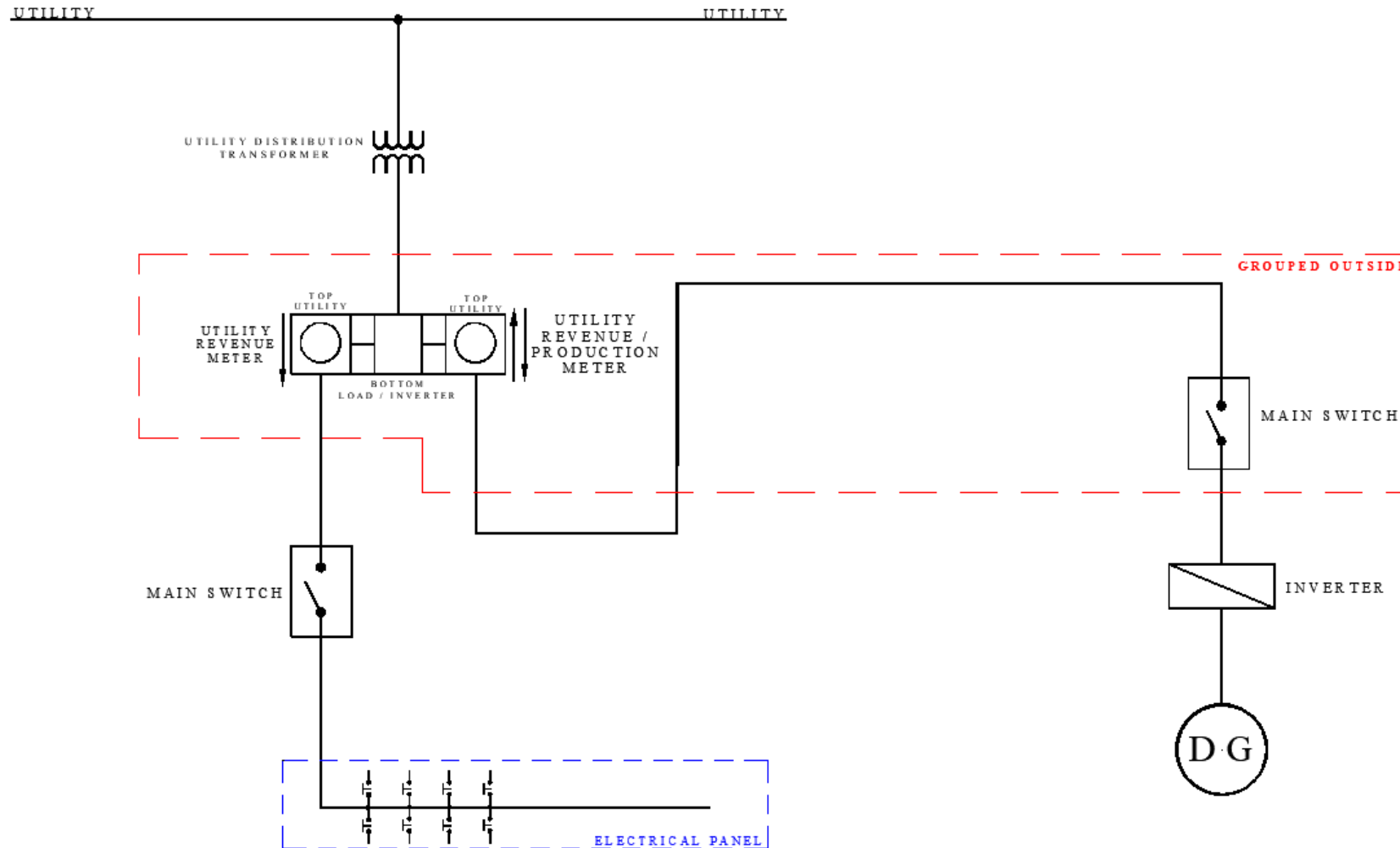
- All Buy-All projects, new electrical services, and service upgrades are required to contact the Eversource Electrical Service Support Center and obtain a Maximo work request number
- Project owners are required to clearly label the meter socket with the Non-Residential Renewable Energy Solutions project number
- Wiring diagrams are classified based on the existing service that the distributed generation will be connecting to
- Chart to the right outlines the type of metering required for new and existing services
- “DG” in all drawings/slides stands for Distributed Generation

10.3 Metering Equipment

Table of available metering equipment:

Service Type	Service Voltage	# Phases	# Wires	Service Amperes	# Meter Terminals	Hot/Cold Sequence
Self-Contained Metering (320 A continuous and below)						
Residential/Commercial	120/240	1	3	100/200/400	4	Hot *
Residential/Commercial	120/208	1	3	100 / 200	5	Hot
Commercial Network	120/208	1	3	100 / 200	5	Cold
Commercial	277/480	1	3	100 / 400	5	Cold
Commercial	120/208	3	4	200 / 400	7	Hot *
Commercial Network	120/208	3	4	200 / 400	7	Cold
Commercial	277/480	3	4	200 / 400	7	Cold
Transformer-Rated Metering						
Residential	120/240	1	3	Above 400	6	Cold
Commercial	120/208	1	3	Above 400	8	Cold
Commercial Network	277/480	3	4	Above 400	13	Cold
Commercial	120/208 277/480	3	4	Above 400	13	Cold

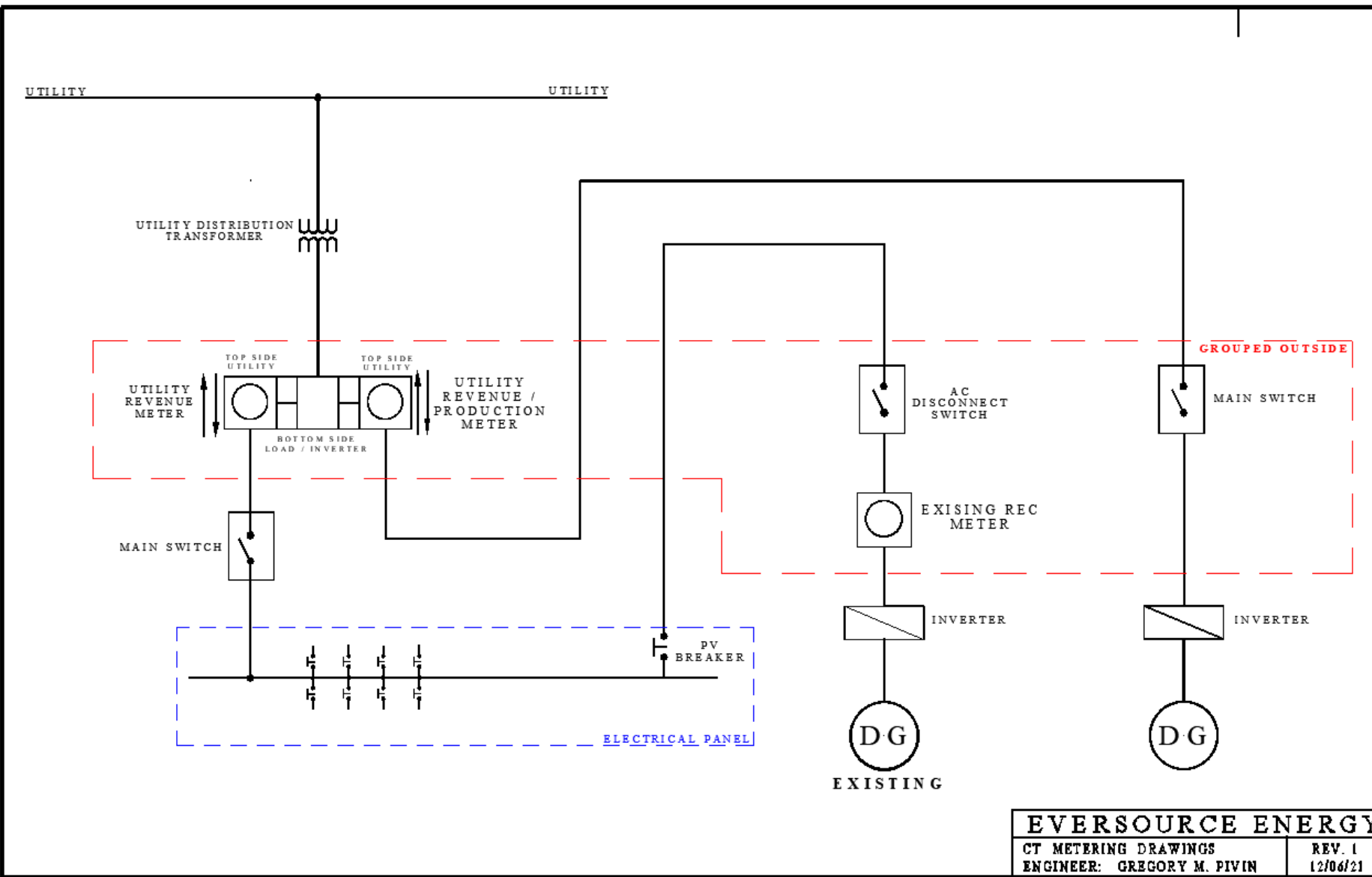
Buy-All, Single Phase, Self-Contained



EVERSOURCE ENERGY	
CT METERING DRAWINGS	REV. 1
ENGINEER: GREGORY M. PIVIN	12/06/21

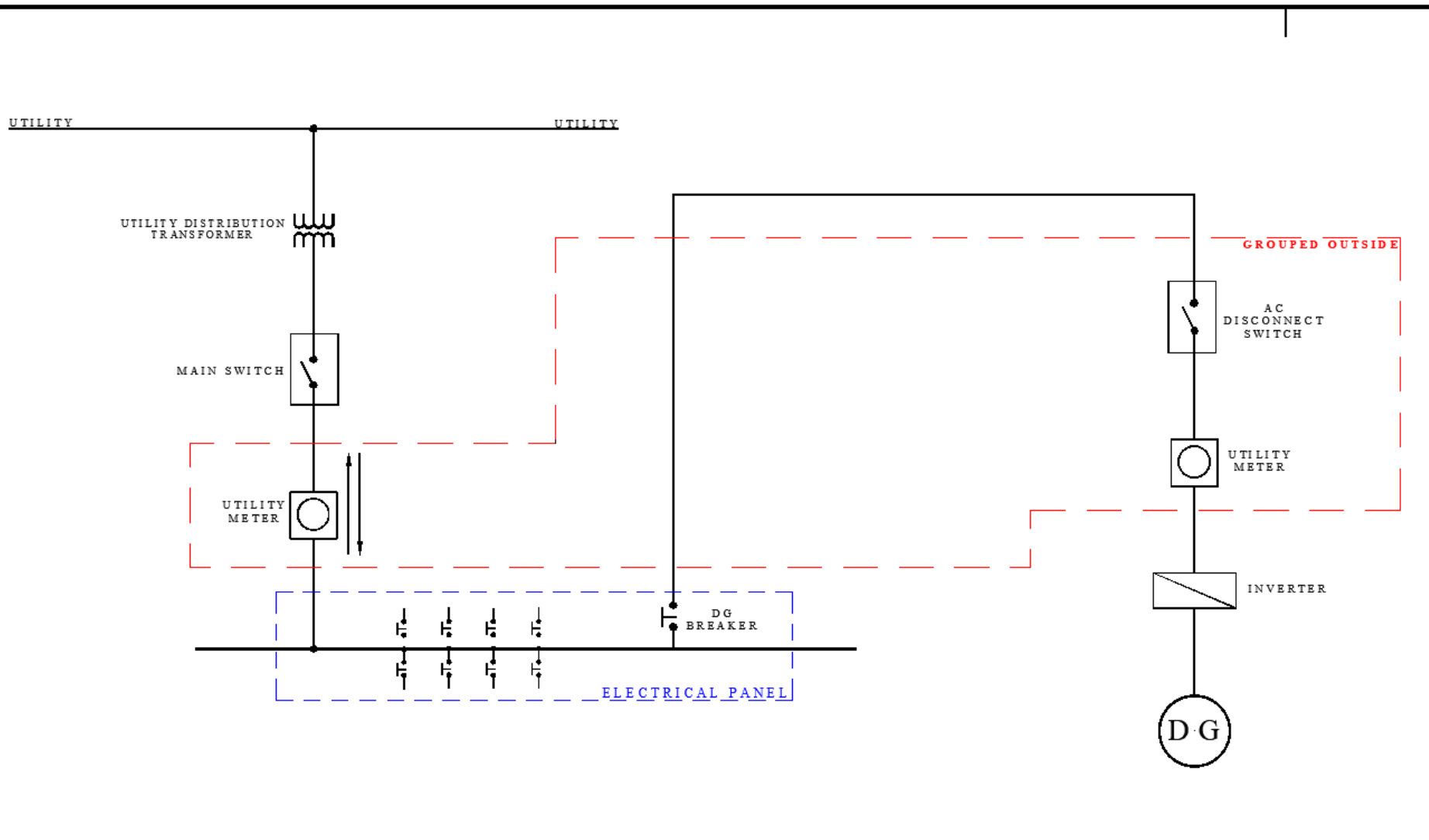
- All interconnection points are required to be located behind both the utility revenue meter and/or the transformer enclosures.
- No interconnections are to be made within the utility revenue meter socket or utility transformer compartment.
- All revenue and production metering equipment purchased must be approved equipment outlined within the CT Eversource Energy (I & R book)
- All Buy-All projects, new electrical services, and upgrades are required to contact the Eversource Electrical Service Support Center and obtain a Maximo work request number.
- All DG designs and interconnections require Eversource approval and drawings are subject for change.
- All utility and production metering are required to be located outside customers facilities grouped together on the ground level where the utility will have 24 / 7 access.
- All meter's revenue and production sockets are required to be clearly labeled
- All self-contained meter sockets are required to be wired top side utility, bottom side inverter.
- The utility AC emergency disconnect switch is required to be located ahead of all production meters where utility personnel will be able to isolate the production meter circuit.

Buy-All With Existing Solar, Single Phase Self-Contained



- a. All interconnection points are required to be located behind both the utility revenue meter and/or the transformer enclosures.
- b. No interconnections are to be made within the utility revenue meter socket or utility transformer compartment.
- c. All revenue and production metering equipment purchased must be approved equipment outlined within the CT Eversource Energy (I & R book)
- d. **All Buy-All projects, new electrical services, and upgrades are required to contact the Eversource Electrical Service Support Center and obtain a Maximo work request number.**
- e. All DG designs and interconnections require Eversource approval and drawings are subject for change.
- f. All utility and production metering are required to be located outside customers facilities grouped together on the ground level where the utility will have 24 / 7 access.
- g. All meter's revenue and production sockets are required to be clearly labeled
- h. All self-contained meter sockets are required to be wired top side utility, bottom side inverter.
- i. The utility AC emergency disconnect switch is required to be located ahead of all production meters where utility personnel will be able to isolate the production meter circuit.

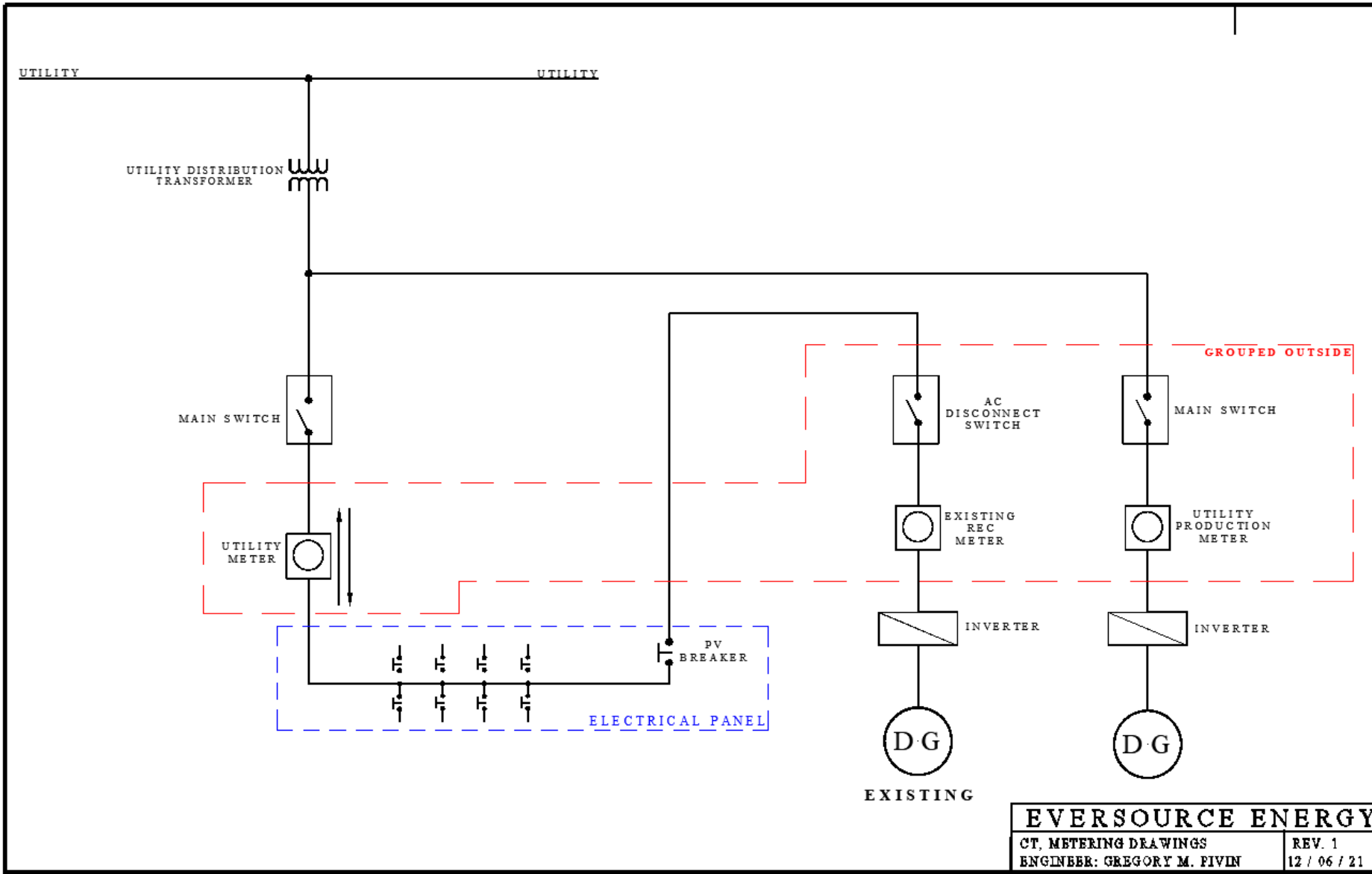
Netting, Three Phase, Self-Contained



EVERSOURCE ENERGY
 CT, METERING DRAWINGS
 ENGINEER: GREGORY M. PIVIN
 REV. 1
 12 / 06 / 21

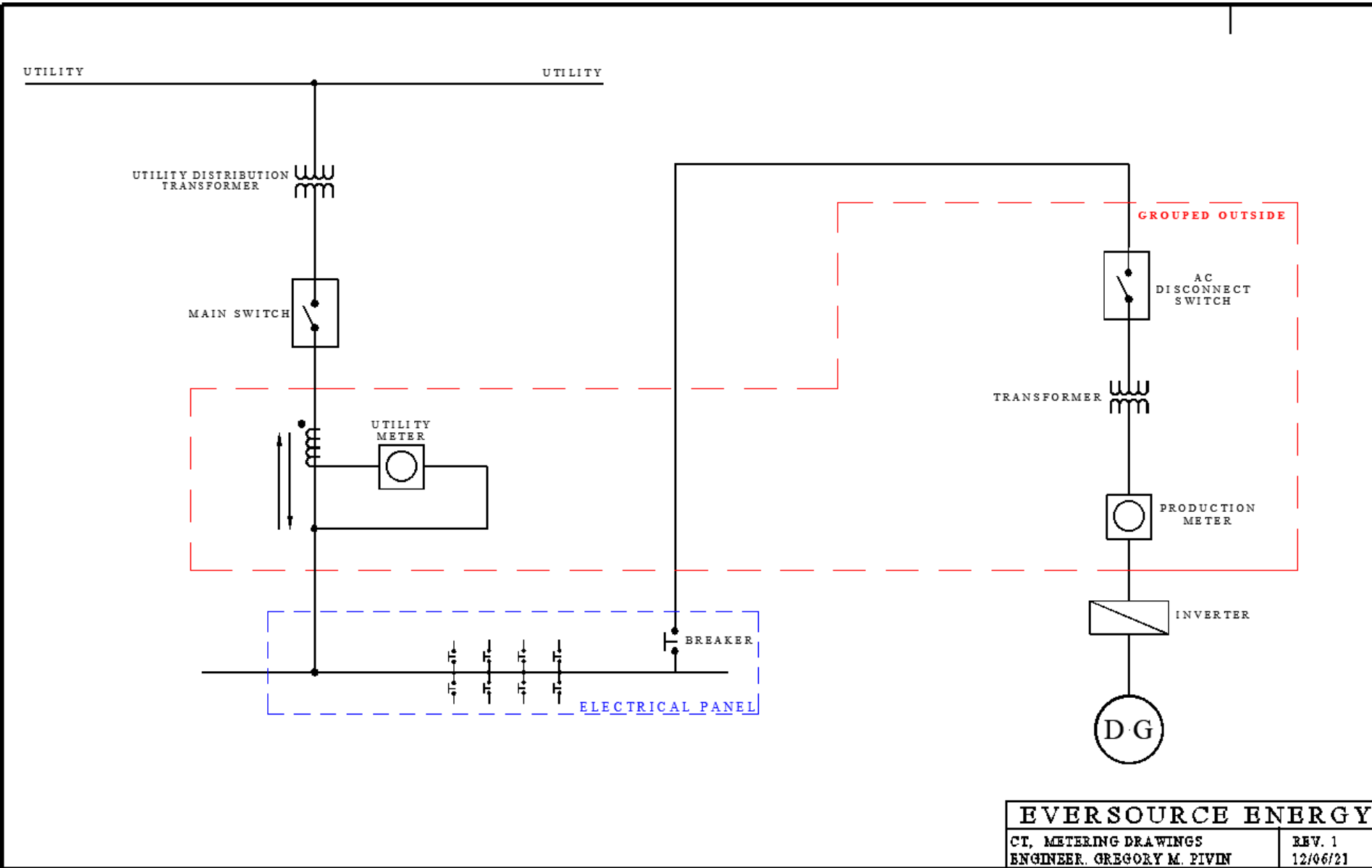
- a. All interconnection points are required to be located behind both the utility revenue meter and/or the transformer enclosures.
- b. No interconnections are to be made within the utility revenue meter socket or utility transformer compartment.
- c. All revenue and production metering equipment purchased must be approved equipment outlined within the CT Eversource Energy (I & R book)
- d. All new electrical services and upgrades are required to contact the Eversource Electrical Service Support Center and obtain a Maximo work request number.
- e. All DG designs and interconnections require Eversource approval and drawings are subject for change.
- f. All utility and production metering are required to be located outside customers facilities grouped together on the ground level where the utility will have 24 / 7 access.
- g. All meter's revenue and production sockets are required to be clearly labeled
- h. All self-contained meter sockets are required to be wired top side utility, bottom side inverter.
- i. The utility AC emergency disconnect switch is required to be located ahead of all production meters where utility personnel will be able to isolate the production meter circuit.

Buy-All, With Existing Solar, Three Phase, Self-Contained



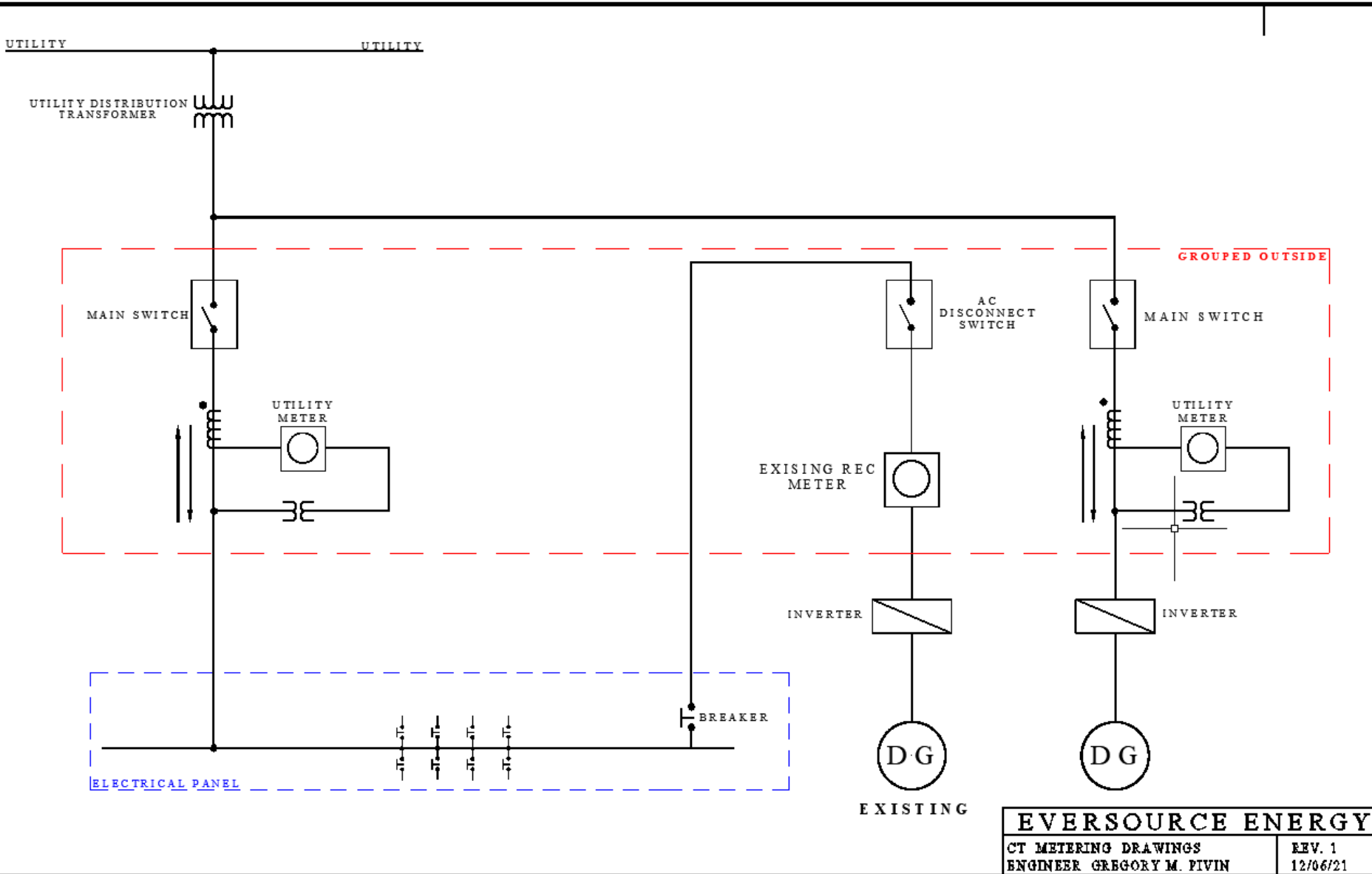
- a. All interconnection points are required to be located behind both the utility revenue meter and/or the transformer enclosures.
- b. No interconnections are to be made within the utility revenue meter socket or utility transformer compartment.
- c. All revenue and production metering equipment purchased must be approved equipment outlined within the CT Eversource Energy (I & R book)
- d. All Buy-All projects, new electrical services, and upgrades are required to contact the Eversource Electrical Service Support Center and obtain a Maximo work request number.
- e. All DG designs and interconnections require Eversource approval and drawings are subject for change.
- f. All utility and production metering are required to be located outside customers facilities grouped together on the ground level where the utility will have 24 / 7 access.
- g. All meter's revenue and production sockets are required to be clearly labeled
- h. All self-contained meter sockets are required to be wired top side utility, bottom side inverter.
- i. The utility AC emergency disconnect switch is required to be located ahead of all production meters where utility personnel will be able to isolate the production meter circuit.

Netting, Three Phase, Instrument Rated



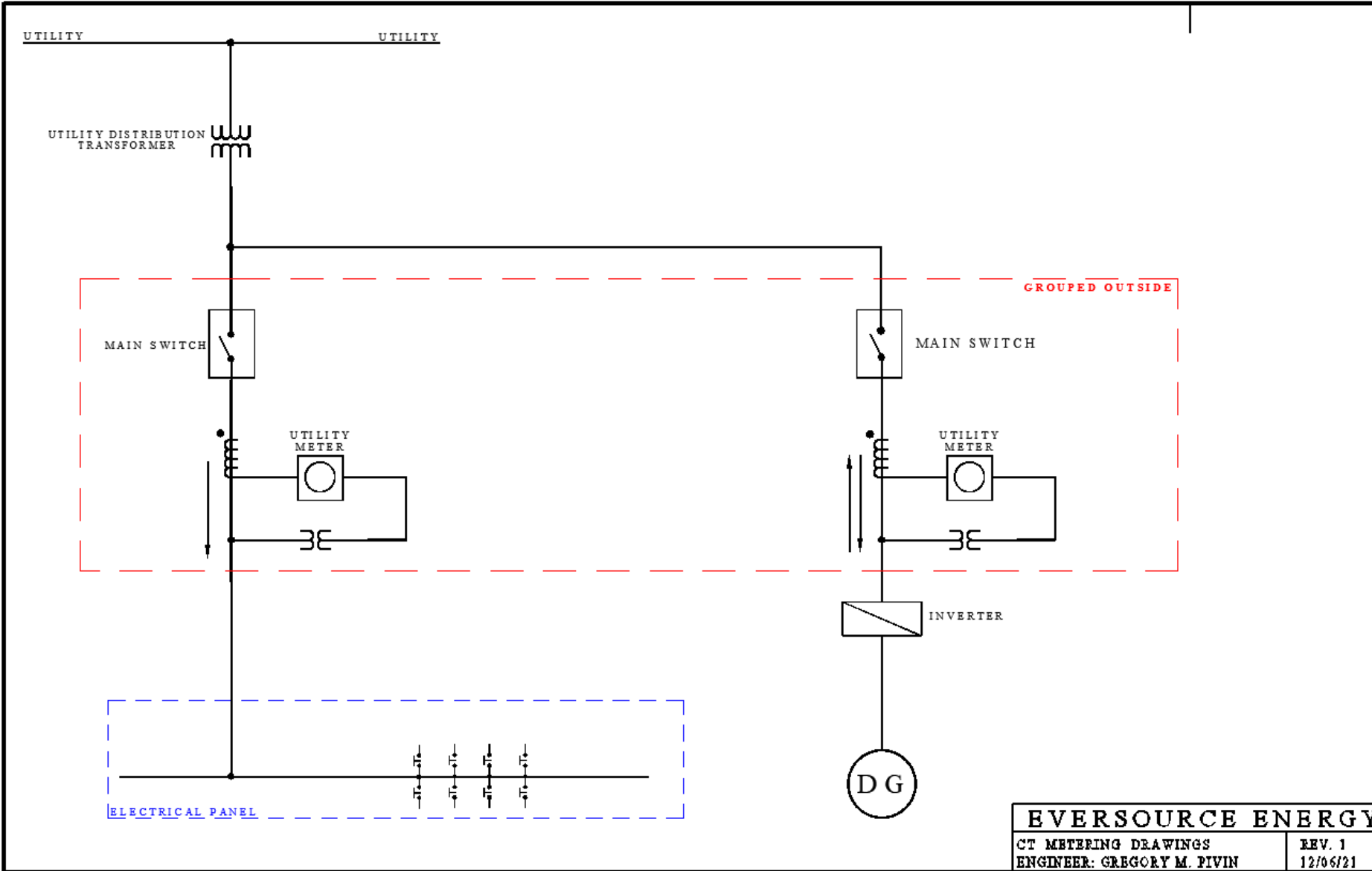
- a. All interconnection points are required to be located behind both the utility revenue meter and/or the transformer enclosures.
- b. No interconnections are to be made within the utility revenue meter socket or utility transformer compartment.
- c. All revenue and production metering equipment purchased must be approved equipment outlined within the CT Eversource Energy (I & R book)
- d. All new electrical services and upgrades are required to contact the Eversource Electrical Service Support Center and obtain a Maximo work request number.
- e. All DG designs and interconnections require Eversource approval and drawings are subject for change.
- f. All utility and production metering are required to be located outside customers facilities grouped together on the ground level where the utility will have 24 / 7 access.
- g. All meter's revenue and production sockets are required to be clearly labeled
- h. All self-contained meter sockets are required to be wired top side utility, bottom side inverter.
- i. The utility AC emergency disconnect switch is required to be located ahead of all production meters where utility personnel will be able to isolate the production meter circuit.

Buy-All, Three Phase, with Existing Net Metering, Existing Structure



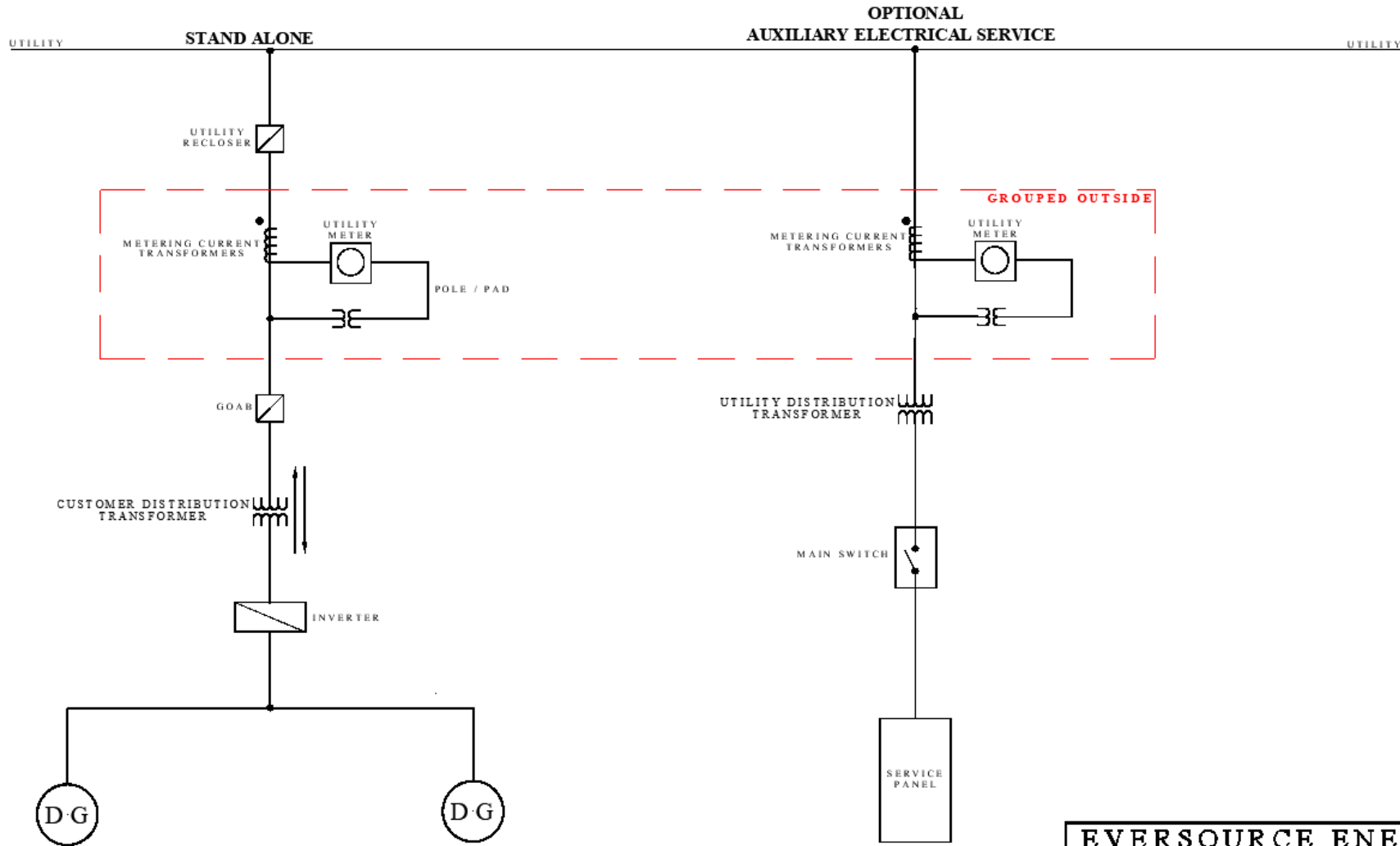
- a. All interconnection points are required to be located behind both the utility revenue meter and/or the transformer enclosures.
- b. No interconnections are to be made within the utility revenue meter socket or utility transformer compartment.
- c. All revenue and production metering equipment purchased must be approved equipment outlined within the CT Eversource Energy (I & R book)
- d. All Buy-All projects, new electrical services, and upgrades are required to contact the Eversource Electrical Service Support Center and obtain a Maximo work request number.
- e. All DG designs and interconnections require Eversource approval and drawings are subject for change.
- f. All utility and production metering are required to be located outside customers facilities grouped together on the ground level where the utility will have 24 / 7 access.
- g. All meter's revenue and production sockets are required to be clearly labeled
- h. All self-contained meter sockets are required to be wired top side utility, bottom side inverter.
- i. The utility AC emergency disconnect switch is required to be located ahead of all production meters where utility personnel will be able to isolate the production meter circuit.

Buy-All, Three Phase, Instrument Rated, on Existing Structure



- a. All interconnection points are required to be located behind both the utility revenue meter and/or the transformer enclosures.
- b. No interconnections are to be made within the utility revenue meter socket or utility transformer compartment.
- c. All revenue and production metering equipment purchased must be approved equipment outlined within the CT Eversource Energy (I & R book)
- d. All Buy-All projects, new electrical services, and upgrades are required to contact the Eversource Electrical Service Support Center and obtain a Maximo work request number.
- e. All DG designs and interconnections require Eversource approval and drawings are subject for change.
- f. All utility and production metering are required to be located outside customers facilities grouped together on the ground level where the utility will have 24 / 7 access.
- g. All meter's revenue and production sockets are required to be clearly labeled
- h. All self-contained meter sockets are required to be wired top side utility, bottom side inverter.
- i. The utility AC emergency disconnect switch is required to be located ahead of all production meters where utility personnel will be able to isolate the production meter circuit.

Buy-All, Primary Meter, (Generation-only type Service)



EVERSOURCE ENERGY
 CT, METERING DRAWINGS REV. 1
 ENGINEER: GREGORY M. PIVIN 12/06/21

- a. All interconnection points are required to be located behind both the utility revenue meter and/or the transformer enclosures.
- b. No interconnections are to be made within the utility revenue meter socket or utility transformer compartment.
- c. All revenue and production metering equipment purchased must be approved equipment outlined within the CT Eversource Energy (I & R book)
- d. All Buy-All projects, new electrical services, and upgrades are required to contact the Eversource Electrical Service Support Center and obtain a Maximo work request number.
- e. All DG designs and interconnections require Eversource approval and drawings are subject for change.
- f. All utility and production metering are required to be located outside customers facilities grouped together on the ground level where the utility will have 24 / 7 access.
- g. All meter's revenue and production sockets are required to be clearly labeled
- h. All self-contained meter sockets are required to be wired top side utility, bottom side inverter.
- i. The utility AC emergency disconnect switch is required to be located ahead of all production meters where utility personnel will be able to isolate the production meter circuit.